



Residential & Commercial Dumbwaiters

**Series F007 - Cable-Waiter (Residential)
Built on Angle Iron**

**Series F011 - Paca-Waiter (Residential)
Series F311 - Paca-Waiter (Commercial)
Series F511 - Paca-Waiter (Commercial)
Built on C-Channel**

1726 North Ballard Road, Suite 1 • Appleton, WI 54911
Direct Phone: 920-991-9082
Toll Free: 800-238-8739
Email: info@foxvalleyelevator.com

Members Of:

Fox Valley Elevator, LLC is a proud member of The American Society of Mechanical Engineers, The National Association of Elevator Contractors, The Canadian Elevator Contractors Association and The Accessibility Equipment Manufacturers Association. These organizations are symbols assure you of our commitment to high quality and accessibility to everyone.



Table of Contents

| | |
|--|-------|
| Introduction & Planning Steps..... | 4 |
| Residential Dumbwaiter Reference Chart..... | 5 |
| Commercial Dumbwaiter Reference Chart..... | 6 |
| Dumbwaiter Reference Chart..... | 7 |
| Car Gate Reference Chart..... | 8 |
| Commercial Hoistway Door Reference Chart..... | 9 |
| F007 Residential Mechanical Illustrations..... | 10 |
| F011 Residential Mechanical Illustrations..... | 11 |
| F311, F511 Commercial Mechanical Illustrations..... | 12 |
| Typical Dumbwaiter Equipment..... | 13 |
| Elevation Layout- Residential Cable- Waiter..... | 14 |
| Hoistway Rail Layout- Residential Cable- Waiter..... | 15 |
| Elevation Layout- Residential Paca- Waiter..... | 16 |
| Hoistway Rail Layout- Residential Paca- Waiter..... | 17 |
| Elevation Layout-Commercial Paca- Waiter..... | 18 |
| Hoistway Rail Layout- Commercial Paca- Waiter..... | 19 |
| Machinery Spaces, Machine Rooms, Control Spaces, and Control Rooms Layouts & Wiring..... | 20-21 |
| Hoistway Layouts..... | 22-30 |
| Notes..... | 31 |

Introduction

This Planning Guide is to be used as a reference to determine parameters of installation and steps taken to achieve a proper dumbwaiter installation. This guide may be used by the architect, contractor, dealer or home owner. The information in this guide is intended as an overview. Each installation will have job specific specifications that must be followed. Do not attempt to construct a hoistway on this information.

Dumbwaiter installation is to be done by an authorized elevator contractor, and in accordance with installation instructions provided by the manufacturer. Installation must also be in compliance with requirements of the National Electric Code, American Society of Mechanical Engineers Safety Code, and state and local building codes. Fox Valley Elevator, LLC products are designed to meet the requirements of ASME - A17.1 National Elevator Codes for dumbwaiters. Manufacturer assumes no liability for equipment not installed in compliance with these codes.

Fox Valley Elevator, LLC reserves the right to modify the design, technical specifications and dimensions of the products shown in this document.

Planning Steps

Locate a local authorized dealer and custom design your dumbwaiter together. Please follow the steps below to finish creating your dumbwaiter package:

1. Determine the location and how dumbwaiter will be used. Select car type, gate type, capacity of the dumbwaiter and choose from the available option that are referenced in the Fox Valley Elevator Dumbwaiter Brochure.
2. Layout machine room and location.
3. Plan for all electrical requirements
4. Address national, state and local code requirements.
5. Obtain and follow site specific field drawings. Forward all necessary documents to contractor/ builder, architect, and structural engineers. Use job specific drawings while building hoistway, doorways, machine room, and any other construction related to the dumbwaiter.
6. Coordinate with your authorized dealer to install your custom dumbwaiter.

Fox Valley Elevator, LLC will be referred as Fox Valley Elevator or FVE through out the remainder of this document.

Residential Dumbwaiter Reference Chart

| Residential Units | | | |
|--------------------------------|---|--------------------------------|---------------------------|
| Mechanical Features | | Cable-Waiter | Paca-Waiter |
| Weight Capacity | Up To... | 100 lb | 200 lb |
| Standard Car Sizes | | 20"x20"x30" | 26"x26"x36" |
| Travel | Up To... | 50' | 34' |
| Stops | Up To... | 6 Stops | |
| Nominal Speed | Feet Per Minute | 30 FPM | 50 FPM |
| Overhead | Minimum space above top of car. Additional overhead required for overhead machine and some types of car gates. | 1'-6" | 2'-0" |
| Electrical Requirements | Phase | Single | |
| | Voltage | 110 V | 230V |
| | Amperage | 15 A | 10 A |
| Drive System | | Winding Drum | |
| Motor | Horsepower | 3/4 HP | 1.5 HP |
| Controller Size | Height x Width x Depth | 18" x 18" x 6" | |
| Sheave | Diameter | 4" | 6-3/8" |
| Drum | Diameter | 5-1/4" | 5-3/4" |
| Cable Type | | 1/8" x 7 x 19 GAC | 3/16" x 7 x 19 GAC |
| Rail Type | Steel | 1-1/2" x 1-1/2" x 3 /16" Angle | 2" x 1" x 3/16" C-Channel |
| Machine Placement | | Above or Below | |

Commercial Dumbwaiter Reference Chart

| Commercial Units | | | |
|---|---|---------------------------|-------------|
| Mechanical Features | | Paca-Waiter | Paca-Waiter |
| Weight Capacity | | 300 lb | 500 lb |
| Standard Car Sizes | | 30"x30"x40" | 36"x36"x48" |
| Travel | Up To... | 63' | |
| Stops | Up To... | 6 Stops | |
| Nominal Speed | Feet Per Minute | 60 FPM | |
| Overhead | Minimum space above top of car. Additional overhead required for overhead machine and some types of car gates. | 2'-3" | |
| Electrical Requirements (Buck Boost Required on Paca-Waiter Units for voltage other than 230V) | Phase | Single | |
| | Voltage | 230 V | |
| | Amperage | 25 A | |
| Drive System | | Winding Drum | |
| Motor | Horsepower | 2 HP | 3 HP |
| Controller Size | Height x Width x Depth | 24" x 24" x 8" | |
| Sheave | Diameter | 7-3/4" | |
| Drum | Diameter | 7-3/4" | |
| Cable Type | | 1/4" x 7 x 19 GAC | |
| Rail Type | Steel | 2" x 1" x 3/16" C-Channel | |
| Machine Placement | | Above or Below | |

Dumbwaiter Reference Chart

| Car |
|---------------------------|
| Material: |
| Powder Coated Steel |
| Stainless Steel #4 Finish |
| Car Options: |
| Shelves |
| Light |

| Gates (required) |
|---|
| Bi-parting or Slide-up: |
| Powder Coated Steel |
| Stainless Steel #4 Finish |
| Tambour (Roll-up): PVC (CW 100 & PW 200 residential dumbwaiters only) |

| UL "B" Label Hoistway Door(s) for Residential/Commercial Units | | |
|--|---------------------------|---|
| Door Types: | Material: | Optional: |
| Bi-Parting | Primed Steel | Frame mounted push buttons, Indicator Light option, Stainless Sill(s), Counter Loading, Floor Loading, Fusible Link, Emergency Release, Door Switch |
| Slide-Up Doors | Stainless Steel #4 Finish | |
| Swing Doors | Powdered Coated | |
| | | |

| Residential Units | | |
|--------------------------|--------------------|---|
| Custom Wood Doors: | Trims: | Options |
| Various Different Styles | Stainless Steel #4 | Frame mounted push buttons indicator light options |
| | Wood | |
| | Trimless | |

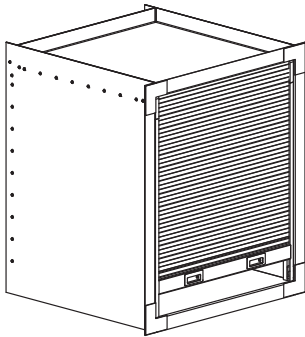
| Interlock(s) (required) |
|--|
| HG-2 Dual Contact Interlock (Used on Commercial Doors) |
| GAL and Cam(s) |
| EMI III (Residential Only) |
| * Note : Either GAL or HG-2 Interlock(s) Are Required On Commercial Units |

| Additional Options: |
|-------------------------------------|
| Door Open Buzzer (CW 100 & PW 200) |
| Gate & Door Alarm (CW 100 & PW 200) |
| Car Here |
| In Use |
| Lantern and Chime |
| Position Indicator |

Car Gate Reference Chart

The dumbwaiter car gate, is attached to the front of the car and travels with it up and down the hoistway. The gate prevents items from leaving or entering the car.

Steel Car with PVC or Metallic Rolltop Gate



Cable-Waiter

Available in 100 lb cars

Available Finishes & Material:

PVC
or
Metallic Steel w/ PVC Coating

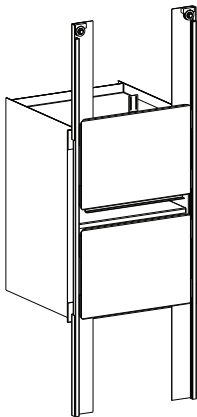
Paca-Waiter

Available in 200 lb &
300 lb cars

Available Finishes & Material:

PVC
or
Metallic Steel w/ PVC Coating

Steel Car with Bi-Parting Gate



Cable-Waiter

Available in 100 lb cars

Available Finishes & Material:

Powder Coated Steel
or
Stainless Steel

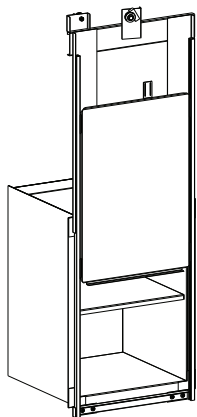
Paca-Waiter

Available in 200 lb, 300 lb &
500 lb cars

Available Finishes & Material:

Powder Coated Steel
or
Stainless Steel

Steel Car with Slide-Up Gate



Cable-Waiter

This Option Is Not Available

Paca-Waiter

Available in 200 lb, 300 lb &
500 lb cars

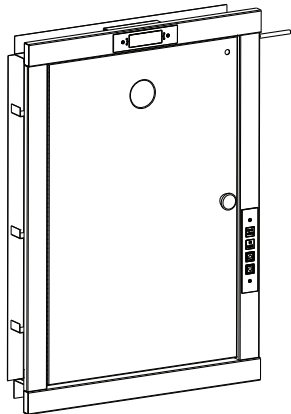
Available Finishes & Material:

Powder Coated Steel
or
Stainless Steel

Commercial Hoistway Reference Chart

The door prevents items from accidentally entering the hoistway when the dumbwaiter car is elsewhere. An interlock located at each opening prevents the door from being opened if the dumbwaiter car is not waiting at that landing. We offer the following doors made to your specification. Every opening must have a door.

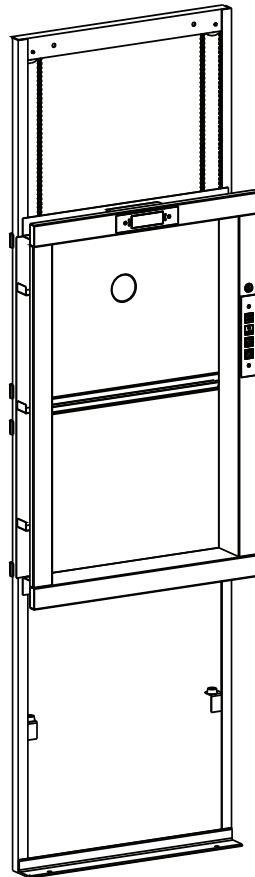
CONSTRUCTION/INSTALLATION NOTE!
Hoistway door walls must not be erected until doors are set in place.



Maximum Height of 36"

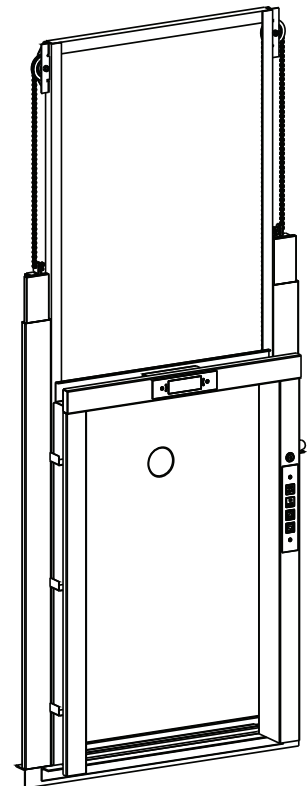
Swing Door

Paca-Waiter
 300 lb & 500 lb
 Primed Steel or Stainless Steel



Bi-Parting Door

Paca-Waiter
 300 lb & 500 lb
 Primed Steel or Stainless Steel



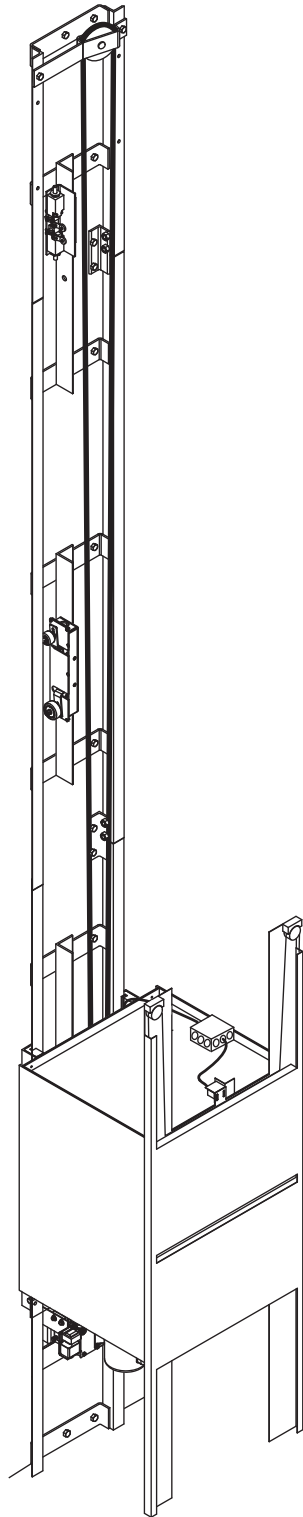
Slide-Up Door

Paca-Waiter
 300 lb & 500 lb
 Primed Steel or Stainless Steel

Design Features & Mechanical Illustrations

Residential Dumbwaiter

(Series F007)

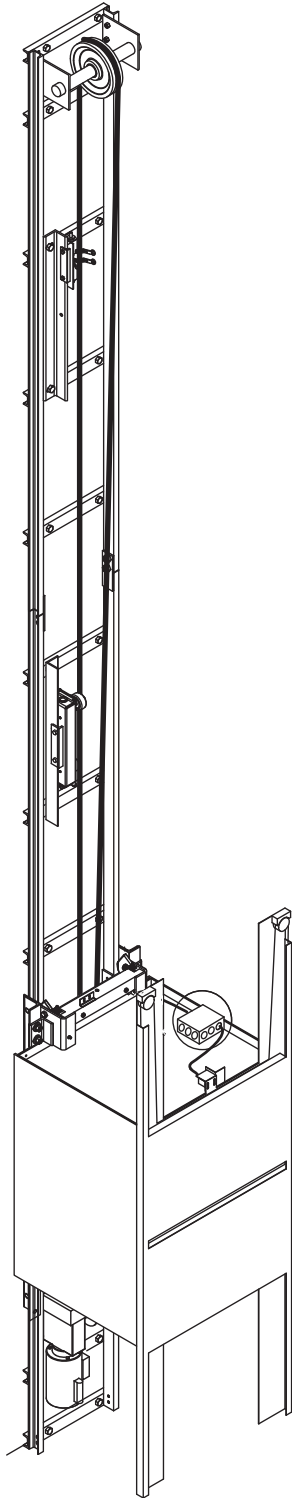


- Multiple Machine Room Location Options
- Modular Design Built on Angle Iron Rail System
- Utilizes Proven Winding Drum Technology
- System Free of Hydraulic Oil
- Sling Movement Translates Through Gliding Blocks
- Switches Locate Floors with Magnetic Sensor
- Emergency Hand Wheel is Standard
- Broken Rope Safety is Standard
- Buffer Springs (Optional)

Design Features & Mechanical Illustrations

Residential Dumbwaiter

(Series F011)



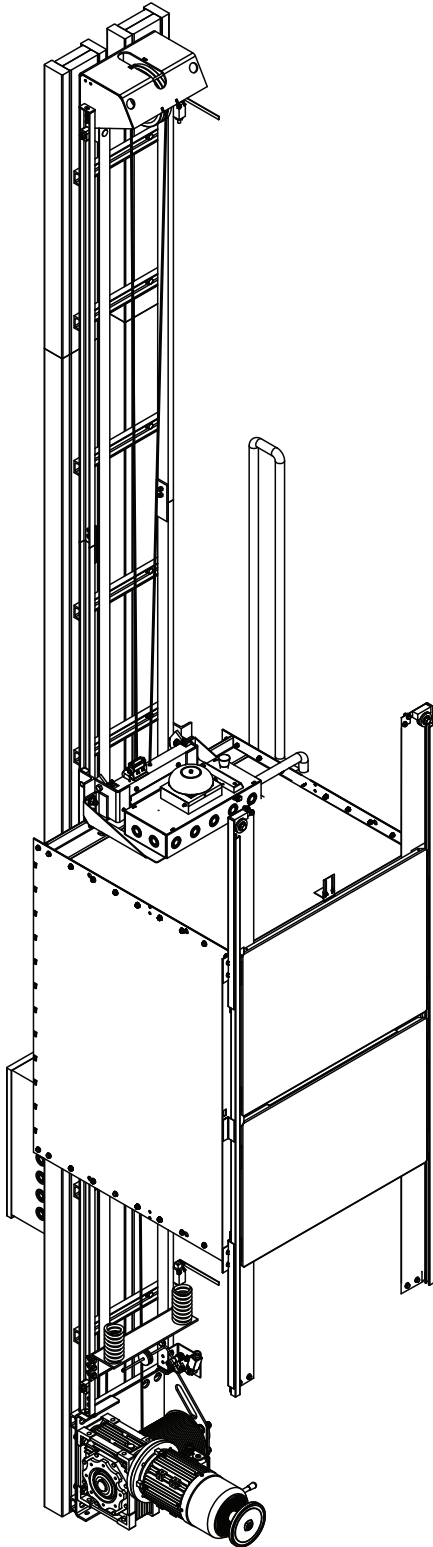
- Multiple Machine Room Location Options
- Modular Design Built on C-Channel Rail System
- Utilizes Proven Winding Drum Technology
- System Free of Hydraulic Oil
- Sling Movement Translates Through Gliding Blocks
- Switches Locate Floors with Magnetic Sensor
- Emergency Hand Wheel is Standard
- Broken Rope Safety is Standard
- Buffer Spring (Optional)

Design Features & Mechanical Illustrations

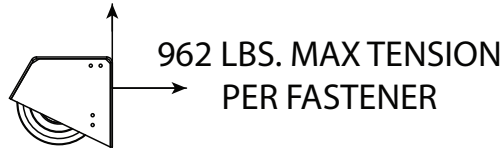
Commercial Dumbwaiter

(Series: F311& F511)

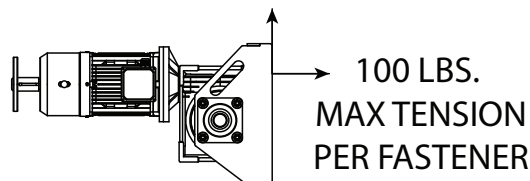
- Multiple Machine Room Location Options
- Modular Design Built on C-Channel Rail System
- Utilizes Proven Winding Drum Technology
- System Free of Hydraulic Oil
- Sling Movement Translates Through Gliding Blocks
- PLC Control System with Variable Frequency Drive
- Tape Reader Locates Floors with Magnetic Sensor
- Emergency Hand Wheel is Standard
- Broken Rope Safety is Standard
- Buffer Spring (Optional)



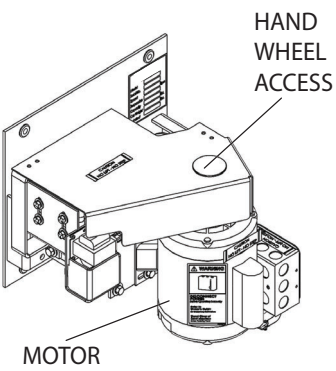
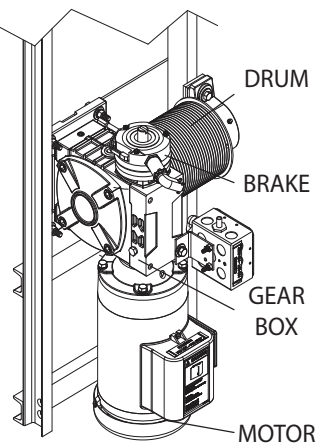
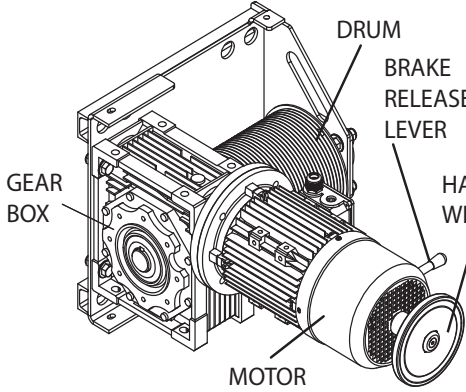
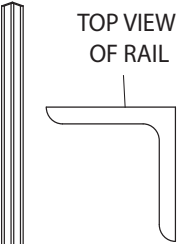
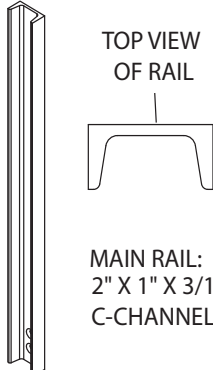
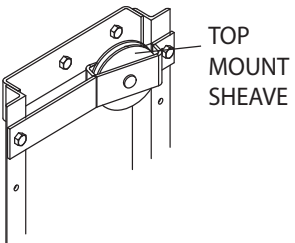
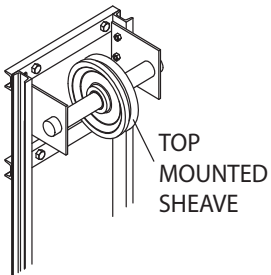
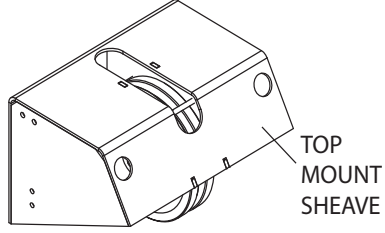

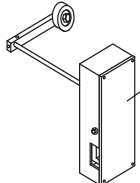
591 LBS. MAX SHEAR
PER FASTENER



295 LBS.
MAX SHEAR
PER FASTENER



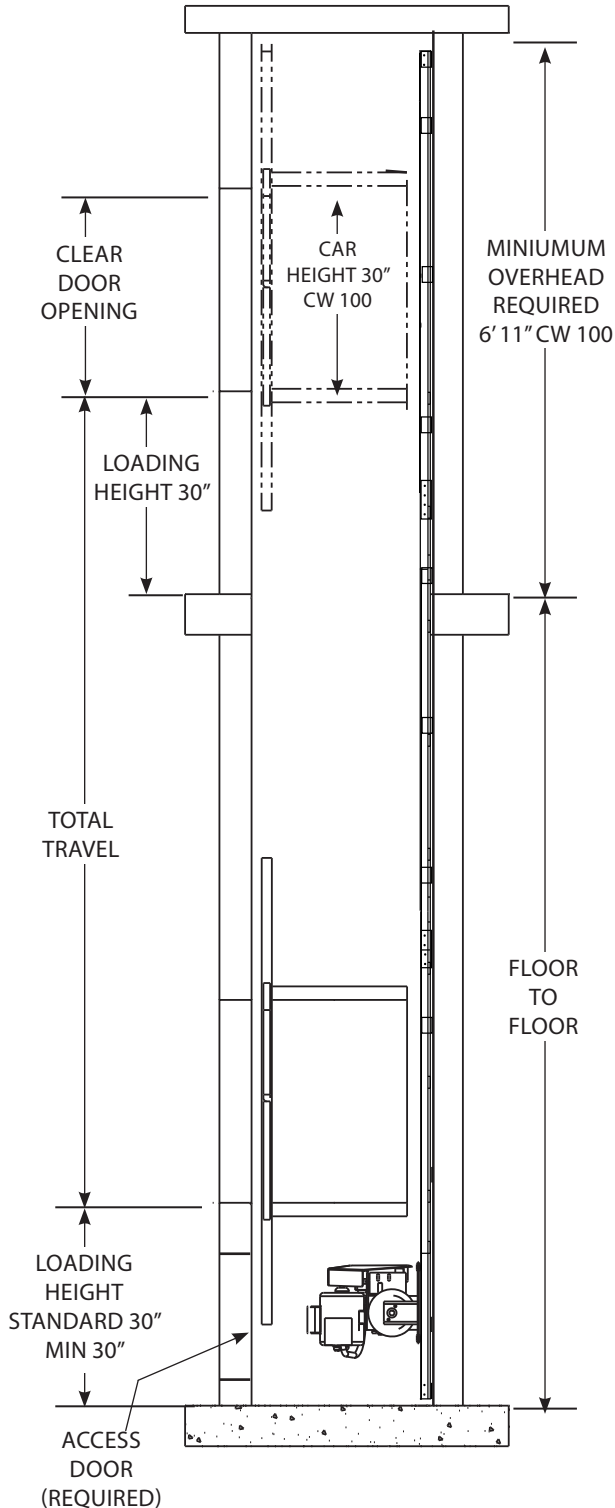
Typical Dumbwaiter Equipment

| Cable-Waiter | Paca-Waiter | |
|--|--|--|
| RESIDENTIAL UNIT | RESIDENTIAL UNIT | COMMERCIAL UNIT |
|  <p>HAND WHEEL ACCESS</p> <p>MOTOR</p> |  <p>DRUM</p> <p>BRAKE</p> <p>GEAR BOX</p> <p>MOTOR</p> |  <p>DRUM</p> <p>BRAKE RELEASE LEVER</p> <p>HAND WHEEL</p> <p>MOTOR</p> <p>GEAR BOX</p> |
|  <p>TOP VIEW OF RAIL</p> <p>MAIN RAIL: 1-1/2" X 1-1/2" X 3/16" ANGLE STEEL</p> |  <p>TOP VIEW OF RAIL</p> <p>MAIN RAIL: 2" X 1" X 3/16" C-CHANNEL STEEL</p> | |
|  <p>TOP MOUNT SHEAVE</p> |  <p>TOP MOUNTED SHEAVE</p> |  <p>TOP MOUNT SHEAVE</p> |
|  <p>EMI III INTERLOCK (Residential Only)</p> | <p>HOISTWAY DOOR INTERLOCKS: REQUIRED AT EACH OPENING TO PREVENT HOISTWAY ACCESS WHILE DUMBWAITER IS OPERATING OR AT ANOTHER LANDING.</p>  <p>GAL TYPE "SN & N" INTERLOCK</p> | |

Elevation Layout - Residential Cable-Waiter

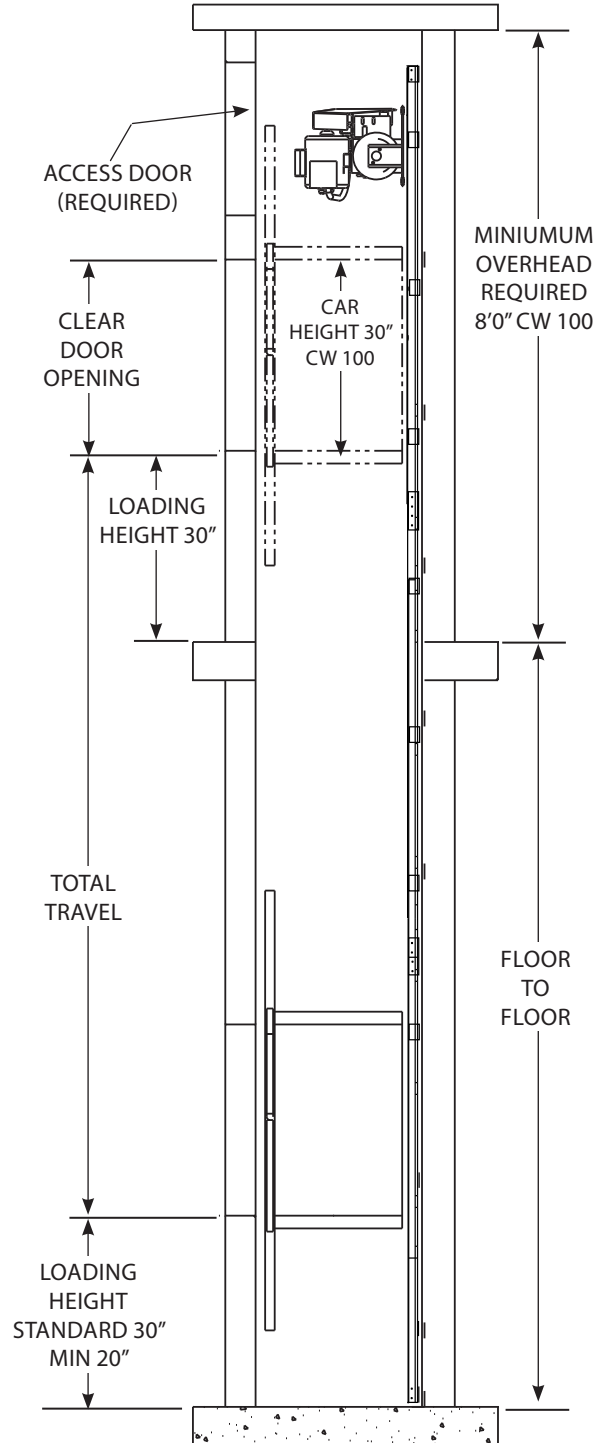
Below Car

For additional information and dimensions contact your local dealer.

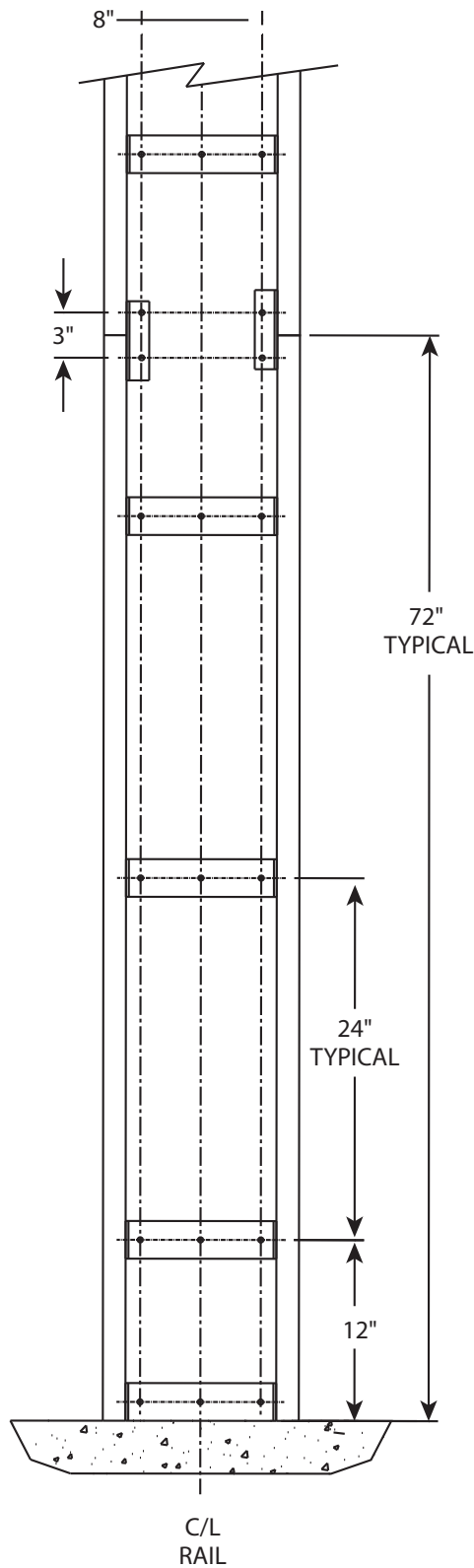


Above Car

For additional information and dimensions contact your local dealer.

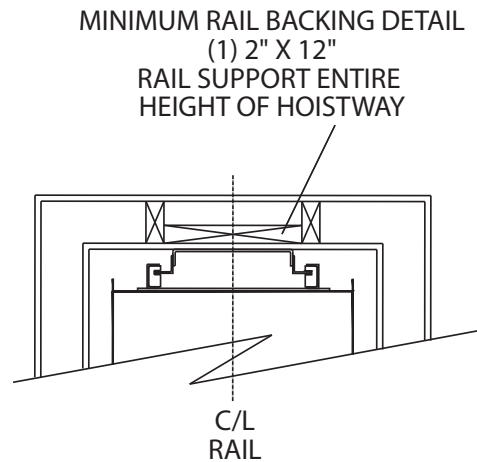
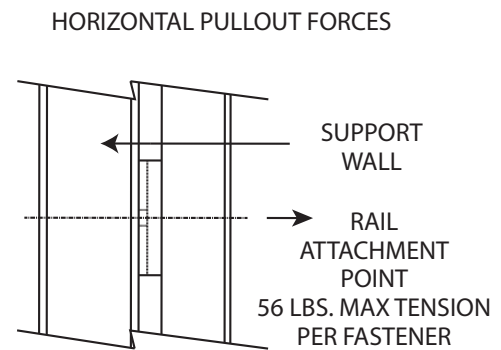


Hoistway Rail Layout-Residential Cable-Waiter



The typical layouts shown here may vary from your actual hoistway. The purpose of these layouts are for a general understanding. Please refer to Fox Valley Elevator drawings and specifications, provided by your authorized local dealer.

These drawings depict sample layouts only. It is the responsibility of the installer/contractor or engineer to design and specify structural supports. All construction to be in compliance with local codes.

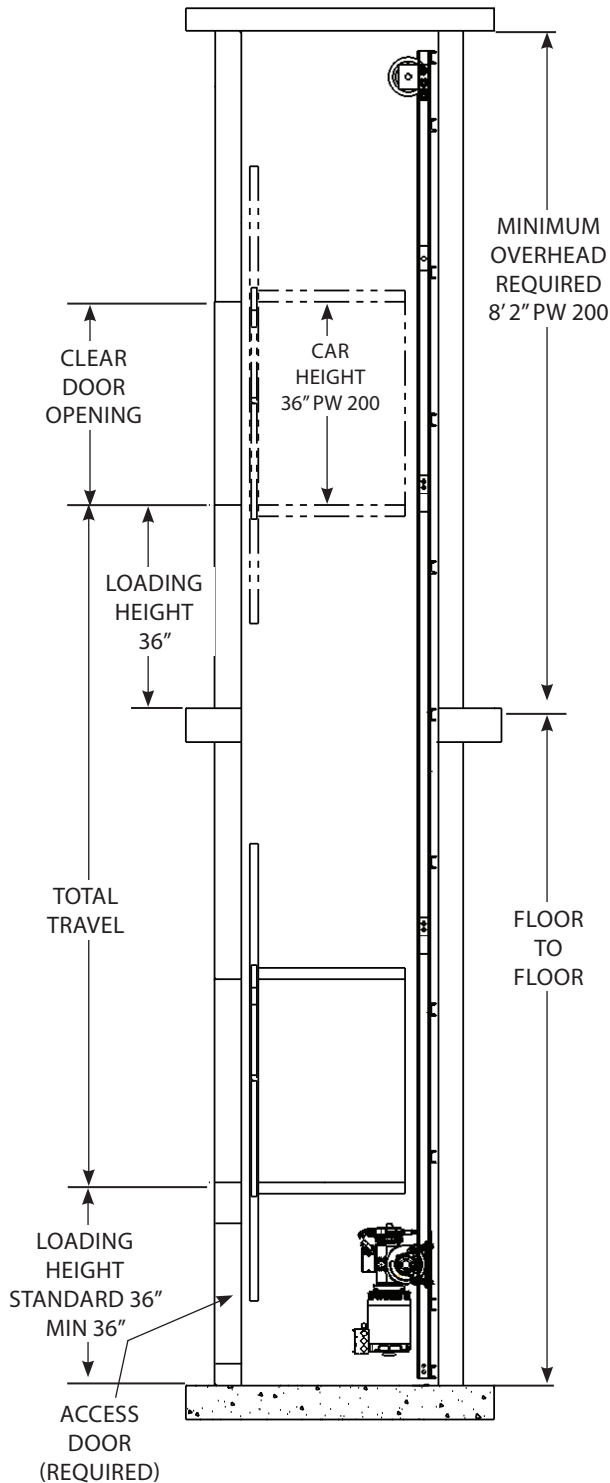


For additional information and dimensions contact your local dealer.

Elevation Layout - Residential Paca-Waiter

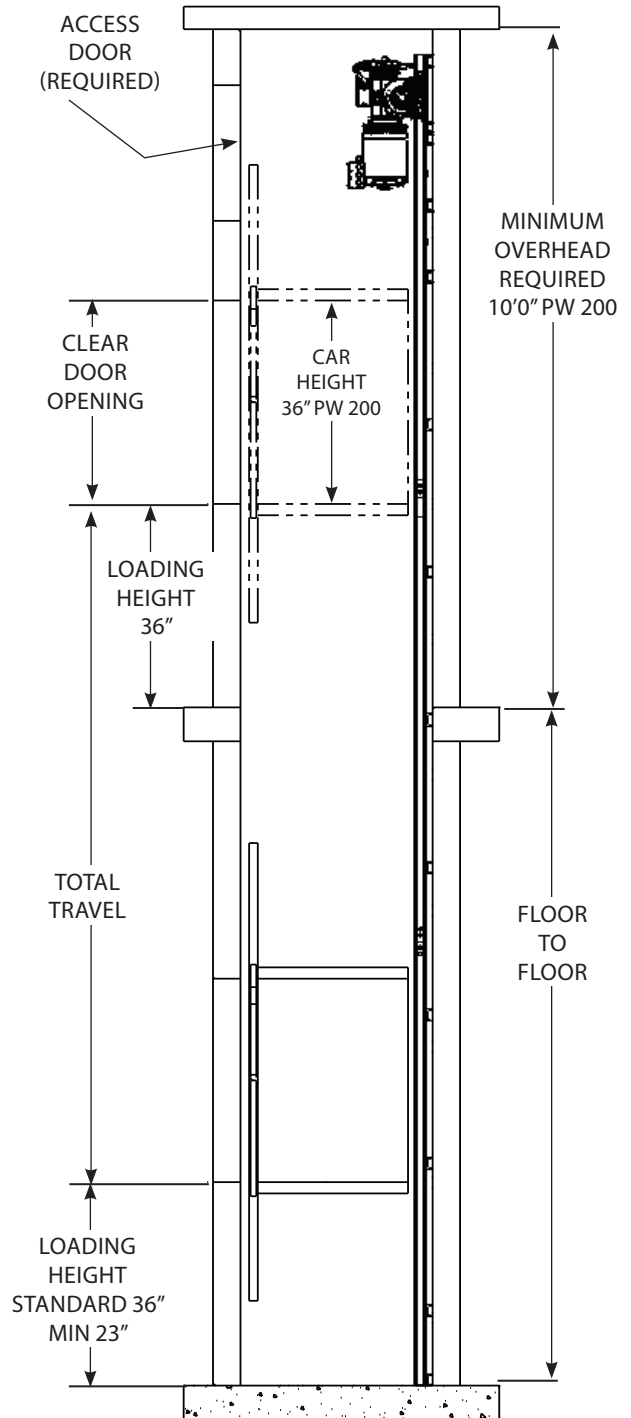
Below Car

For additional information and dimensions contact your local dealer.

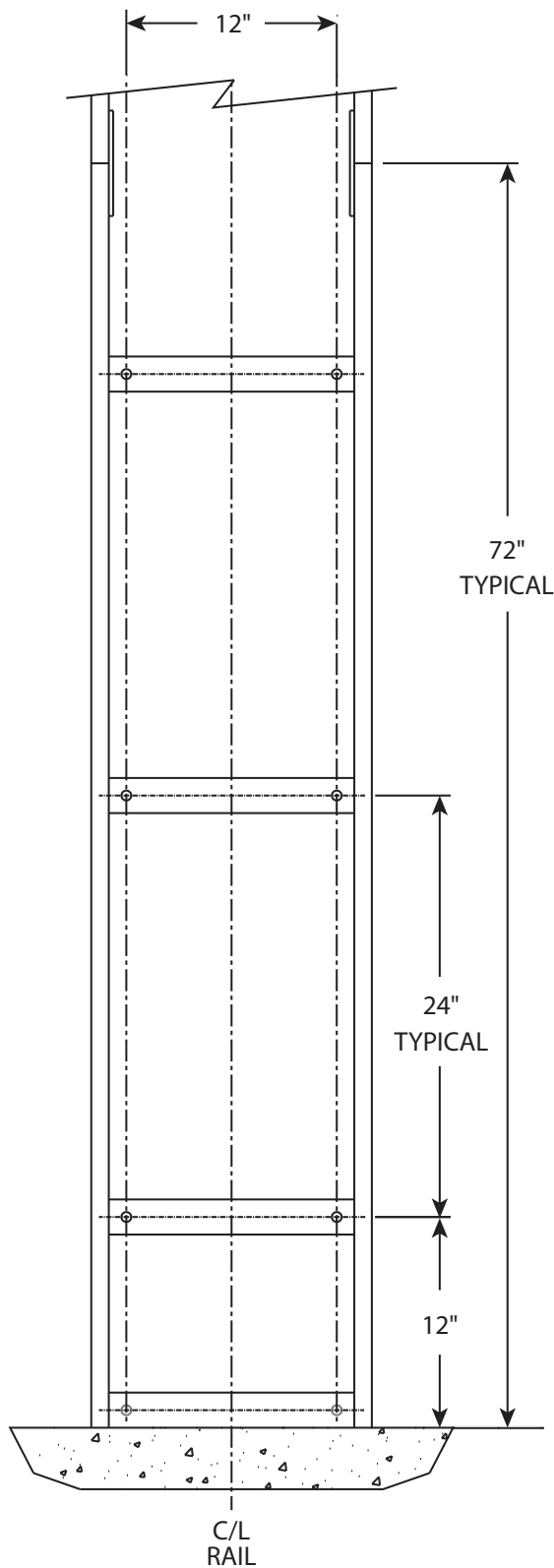


Above Car

For additional information and dimensions contact your local dealer.

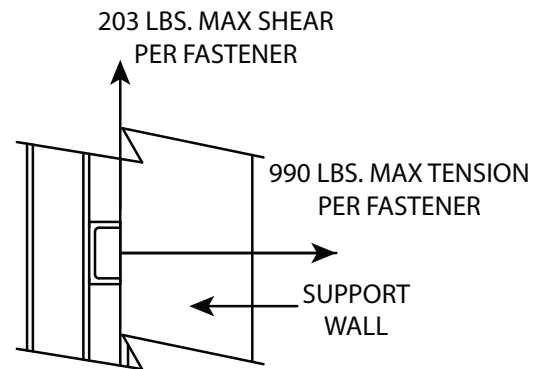


Hoistway Rail Layout - Residential Paca-Waiter

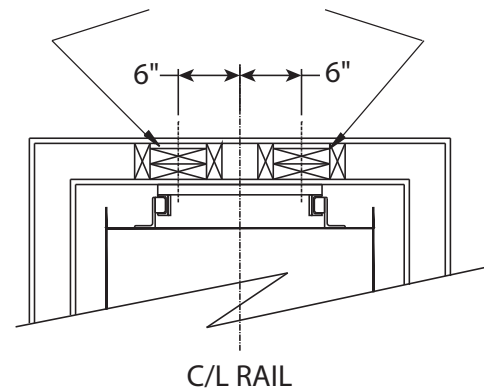


The typical layouts shown here may vary from your actual hoistway. The purpose of these layouts are for a general understanding. Please refer to Fox Valley Elevator drawings and specifications, provided by your authorized local dealer.

These drawings depict sample layouts only. It is the responsibility of the installer/contractor or engineer to design and specify structural supports. All construction to be in compliance with local codes.



MINIMUM RAIL BACKING DETAIL
(4) 2" x 6"
RAIL SUPPORT ENTIRE HEIGHT OF HOISTWAY

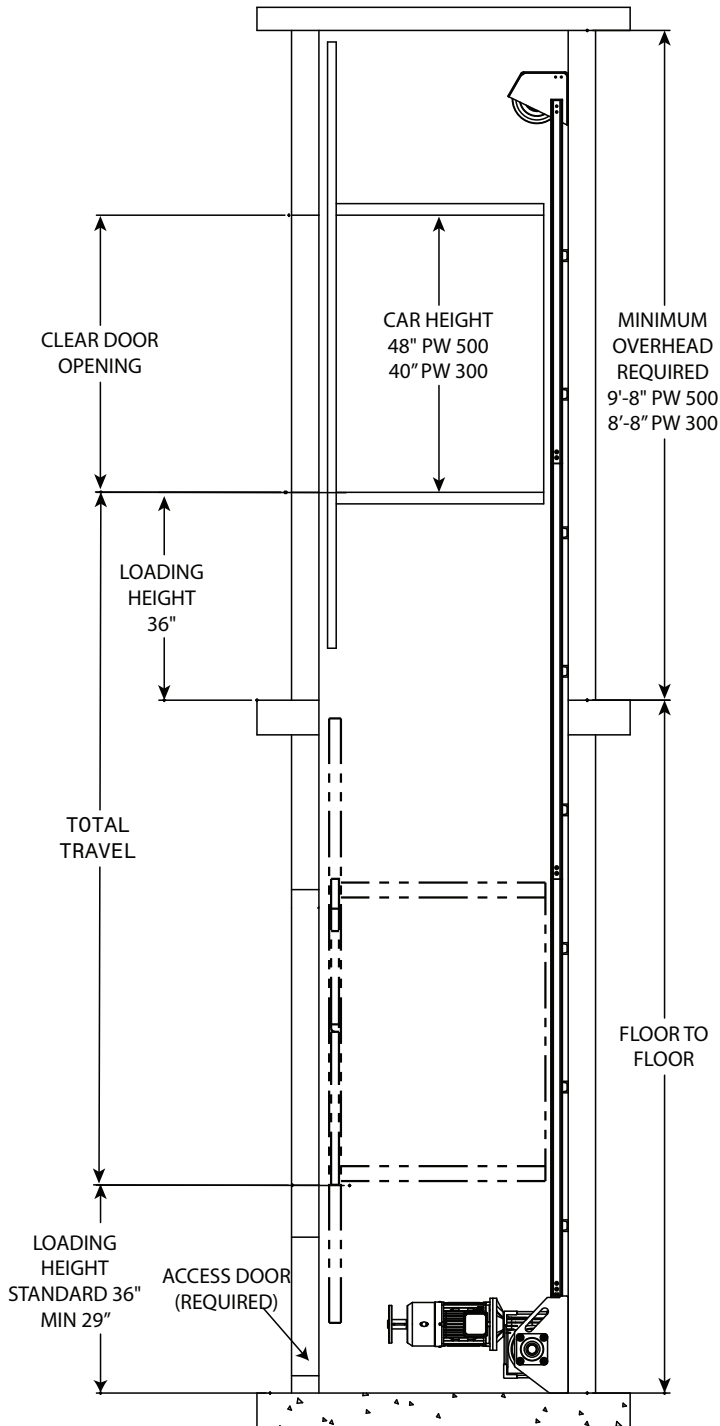


For additional information and dimensions contact your local dealer.

Elevation Layout - Commercial Paca-Waiter

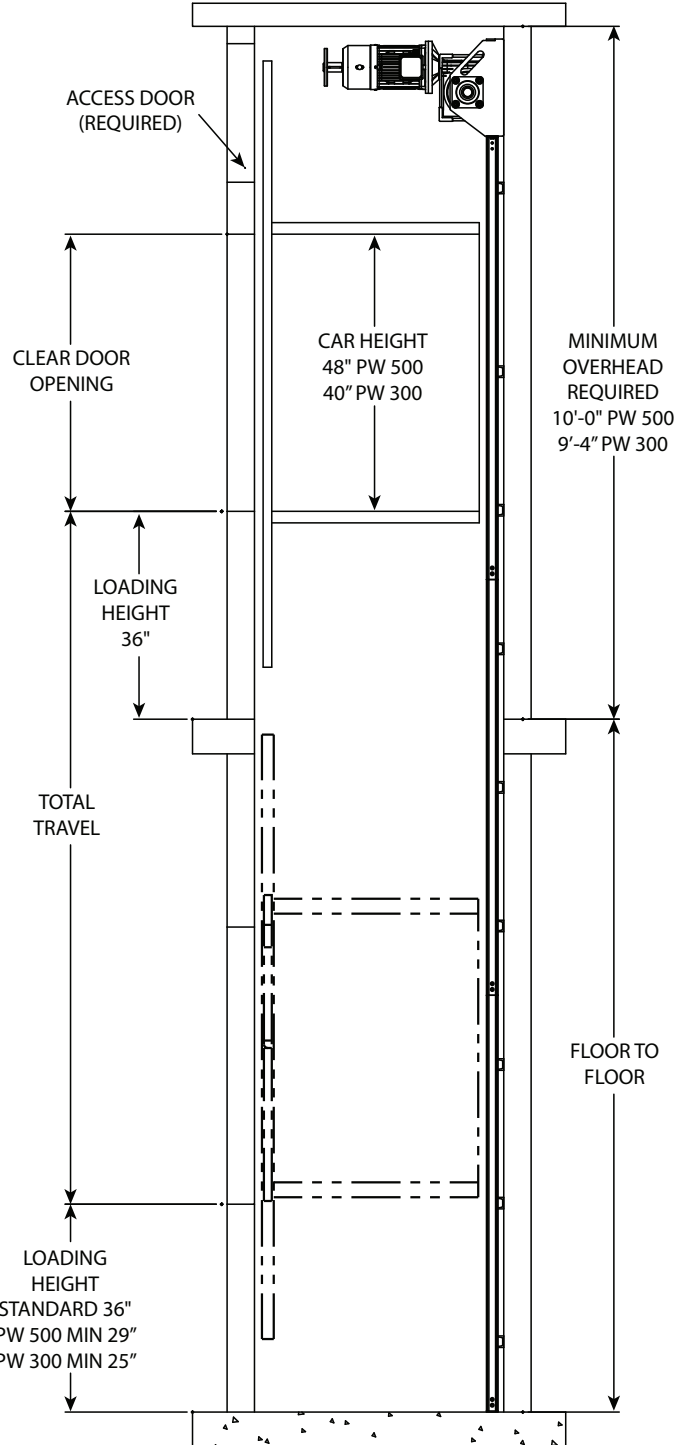
Below Car

For additional information and dimensions contact your local dealer.



Above Car

For additional information and dimensions contact your local dealer.

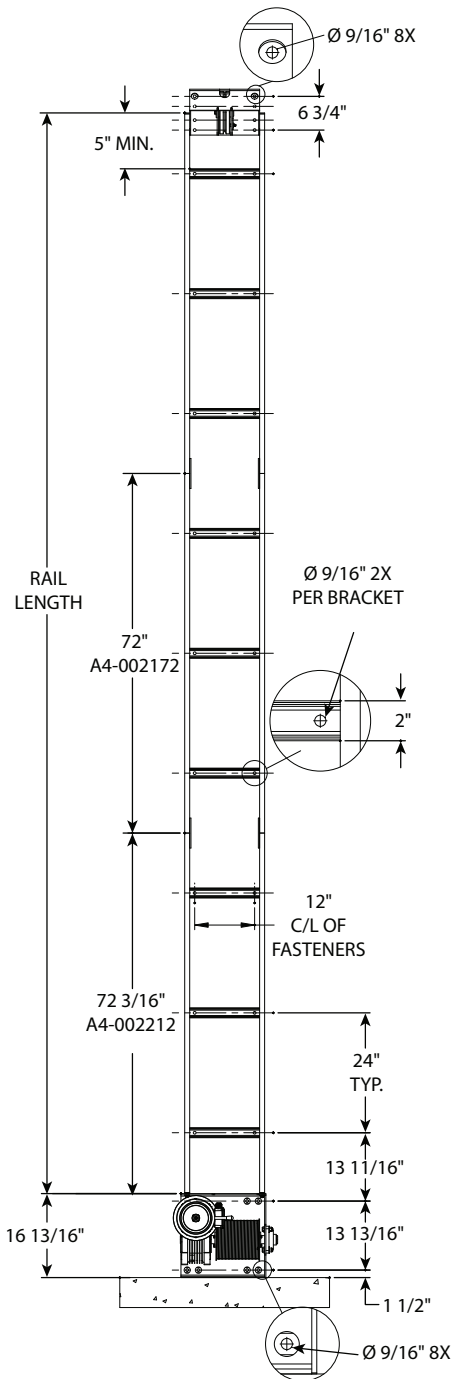


Hoistway Rail Layout - Commercial Paca-Waiter

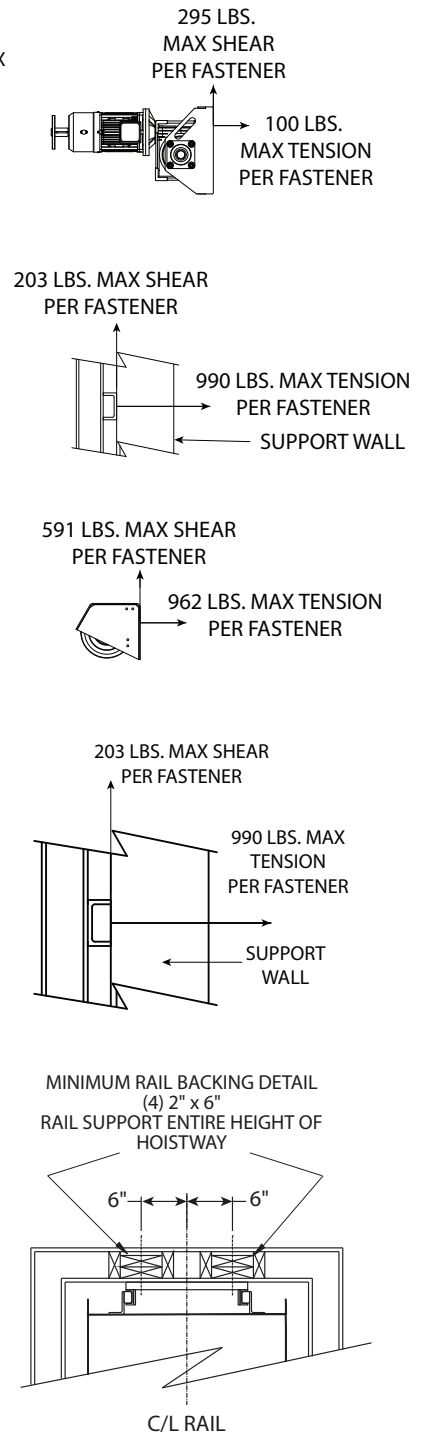
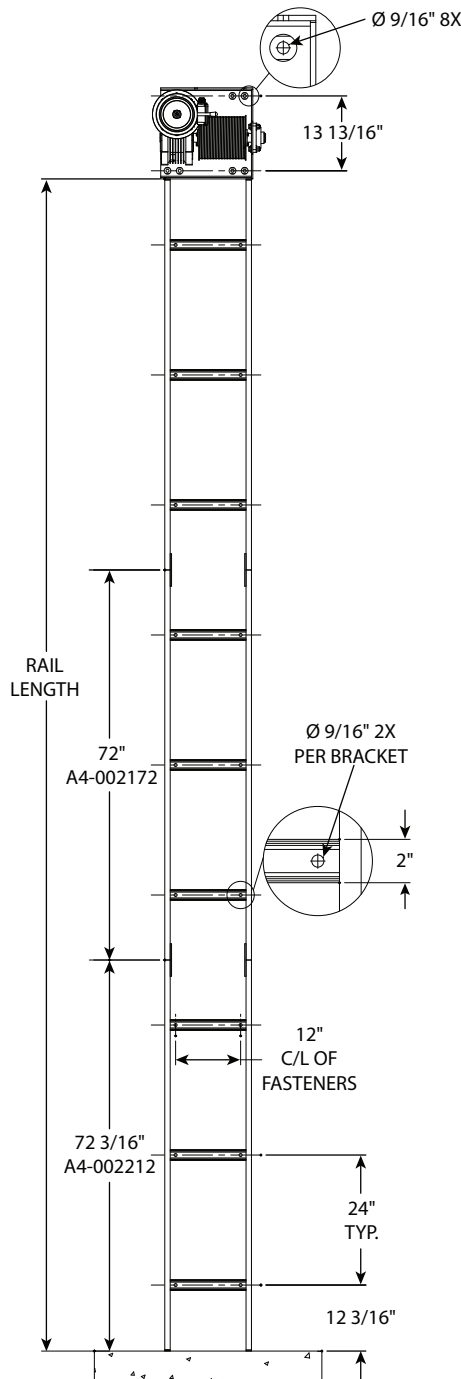
The typical layouts shown here may vary from your actual hoistway. The purpose of these layouts are for a general understanding. Please refer to Fox Valley Elevator drawings and specifications, provided by your authorized local dealer.

These drawings depict sample layouts only. It is the responsibility of the installer/contractor or engineer to design and specify structural supports. All construction to be in compliance with local codes..

Below Car



Above Car



Machinery Spaces, Machine Rooms, Control Spaces, and Control Rooms Layouts & Wiring

(Series F007, F011, F311, F511)

Disconnect Power Before Wiring

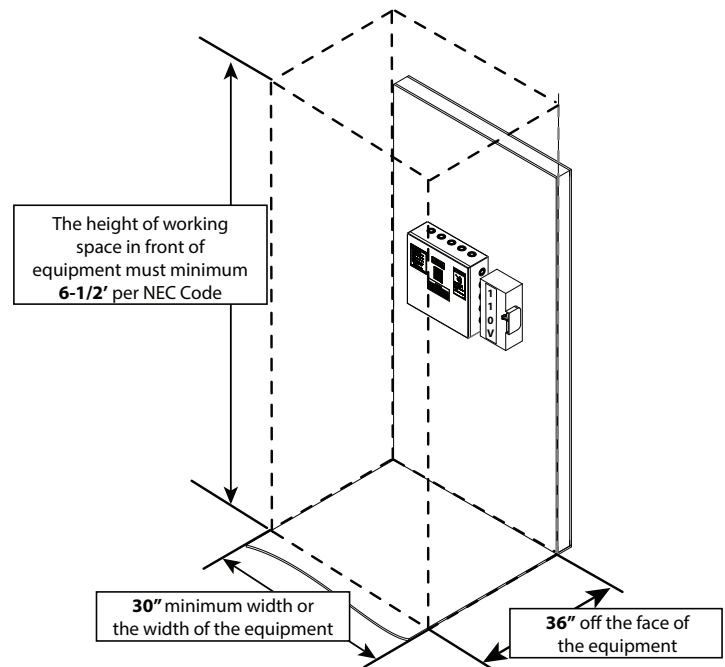
1. Locate controller box in control space as required by code.
2. Wire gauge requirements:
 - 10 gauge wire to powerhead
 - 18 gauge (minimum) wire for all other wiring
 - Note:** *Copper wire only.*
3. Refer to unit specific schematics in field drawings to complete wiring.
Wire per N.E.C. and local codes.
4. Locate disconnect and check for correct fuse size.

Per NEC Code 110.26

Clear Working Space. The working space required by this section must be clear at all times. **Therefore, this space isn't permitted for storage.** When normally enclosed live parts are exposed for inspection or servicing, the working space, if in a passageway or general open space, must be suitably guarded.

Working Space. Equipment that may need examination, adjustment, servicing, or maintenance while energized must have working space provided in accordance with (1), (2), and (3):

1. Depth of Working Space. The working space, which is measured from the enclosure front, must not be less than the distance of 36 in.
2. Width of Working Space. The width of the working space must be a minimum of 30 in., but in no case less than the width of the equipment.



NOTE: NOT ALL CONTROLLER TERMINALS OR TRAVEL CABLE WIRES MAY BE USED.

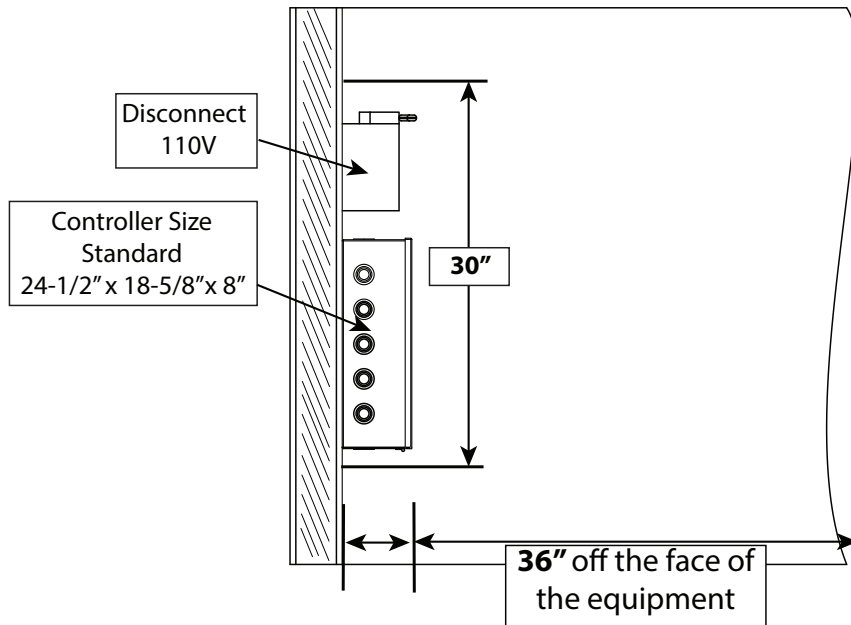
Machinery Spaces, Machine Rooms, Control Spaces, and Control Rooms Layouts & Wiring

(Series F007, F011, F311, F511)

Disconnect Power Before Wiring

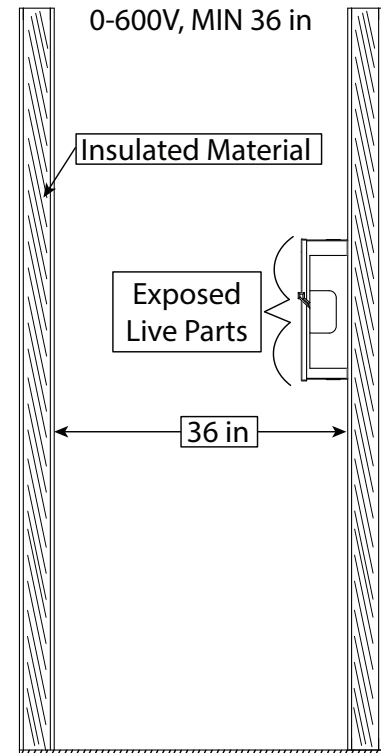
Overhead View

Note: The machine room may be placed on any floor of on any level of the home



Depth of Working Space

0-600V, MIN 36 in



Per NEC Code 110.26 Continued

3. Height of Working Space (Headroom). The height of the working space in front of equipment must not be less than 6½' or the height of the equipment measured from the floor, grade or platform, whichever is greater.

Other equipment must not extend more than 6" into the controller working space.

Additional Notes

- A lockable service disconnect must be placed within sight of the controller and must be easily accessible in case of an emergency.
- Machine room and controller space must contain a convenience outlet and light with switch.
- The temperatures must be maintained between 60°- 110°F (15°C- 43°C) and must not be exposed to the elements with a max relative humidity of 90% (non-condensing).
- The frequency drive may be heard running for thermal heat dissipation at any time.

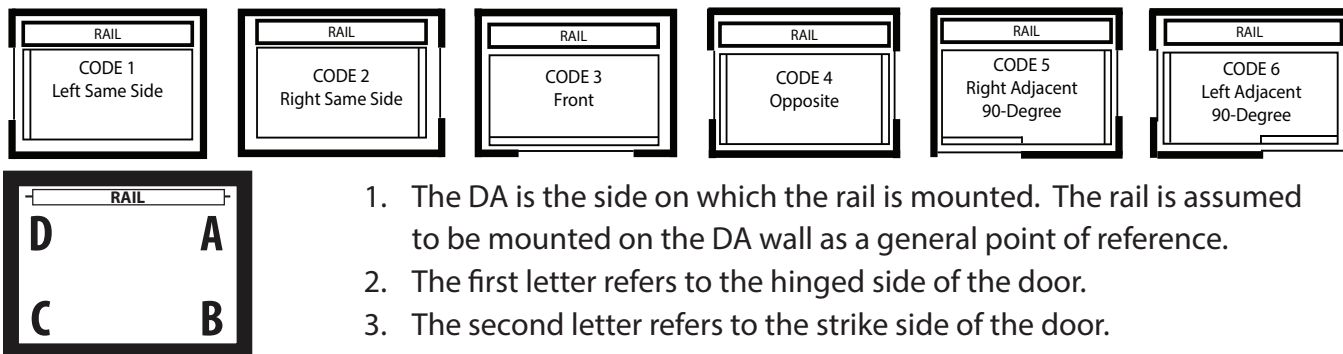
Hoistway Layout

Notes:

- Dumbwaiter to be installed in accordance with ASME A17.1 Part 7.1, 7.2, and all local codes.
- Electrical room must meet N.E.C. clear space requirements and all local codes.
- The temperatures must be maintained between 60°- 110°F (15°C- 43°C) and must not be exposed to the elements with a max relative humidity of 90% (non-condensing).
- Any lowest landing floor loading dumbwaiters require a pit. Pit is different than loading height. Call your Fox Valley Elevator for more detailed information.
- All hoistway doors require an interlock, door handle, and latch set.
- Access Door to access machine is required by code and to be monitored by switch.
- Any alterations to the equipment without written authorization by Fox Valley Elevator will void all warranties.
- Hoistway must be plum within 1/8 inch per 10 ft. of height and square at any point within 1/4 inch based on difference in diagonal measurements.
- Structure must be capable of supporting the appropriate loads. Local engineering support is recommended.
- Do not complete door and associated framing to one door (preferably at grade level), until dumbwaiter is completely installed.
- The following hoistway illustrations are showing finished dimensions. Finished hoistway dimensions include drywall, plaster, and paint.
- The following information represented for Cable-Waiter (CW) and Paca-Waiter (PW) units are listed as residential **R** and commercial **C** units.

Note the appropriate application when considering a dumbwaiter. If the application is appropriate, a commercial unit may installed in a residence.

Car Opening Configurations and Coding



1. The DA is the side on which the rail is mounted. The rail is assumed to be mounted on the DA wall as a general point of reference.
2. The first letter refers to the hinged side of the door.
3. The second letter refers to the strike side of the door.

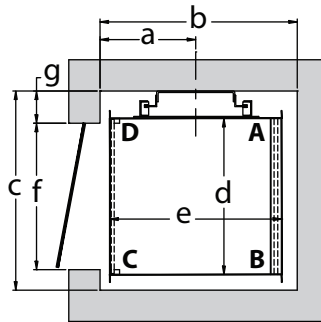
Example Hoistway Layouts - Dumbwaiter

Steel Car with Roll top Gates

The dumbwaiters listed in the following section are based upon our standard cars. Dumbwaiter cars can be customized to meet your unique needs in accordance with ASME A17.1.

Note:
This hoistway sized is depicted for EMI's
Hoistway size will change if different interlock is used.

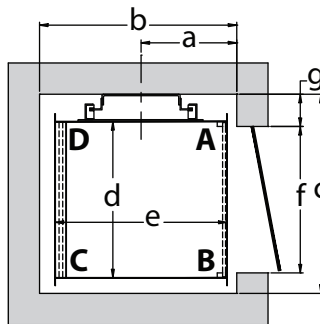
LEFT OPENINGS (DC)
CODE 1



| | Dumbwaiter Type | Car Size | Finished Hoistway Dimensions | | | | | | |
|---|----------------------|-----------------|------------------------------|--------|--------|-----|-----|--------|--------|
| | | | a | b | c | d | e | f | g |
| R | Cable- Waiter 100 lb | 20" x 20" x 30" | 12.25" | 25.25" | 25.5" | 20" | 22" | 18.75" | 4.125" |
| R | Paca-Waiter 200 lb | 26" x 26" x 36" | 15.25" | 31.25" | 33.25" | 26" | 28" | 24.75" | 4.875" |
| R | Paca-Waiter 300 lb | 30" x 30" x 40" | 17.25" | 35.25" | 37.25" | 30" | 32" | 28.75" | 4.875" |

*All dimensions are finished hoistway dimensions

RIGHT OPENINGS (AB)
CODE 2



| | Dumbwaiter Type | Car Size | Finished Hoistway Dimensions | | | | | | |
|---|----------------------|-----------------|------------------------------|--------|--------|-----|-----|--------|--------|
| | | | a | b | c | d | e | f | g |
| R | Cable- Waiter 100 lb | 20" x 20" x 30" | 12.25" | 25.25" | 25.5" | 20" | 22" | 18.75" | 4.125" |
| R | Paca-Waiter 200 lb | 26" x 26" x 36" | 15.25" | 31.25" | 33.25" | 26" | 28" | 24.75" | 4.875" |
| R | Paca-Waiter 300 lb | 30" x 30" x 40" | 17.25" | 35.25" | 37.25" | 30" | 32" | 28.75" | 4.875" |

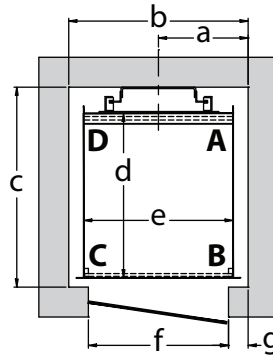
*All dimensions are finished hoistway dimensions

Example Hoistway Layouts - Dumbwaiter

Steel Car with Roll top Gates

The dumbwaiters listed in the following section are based upon our standard cars. Dumbwaiter cars can be customized to meet your unique needs in accordance with ASME A17.1.

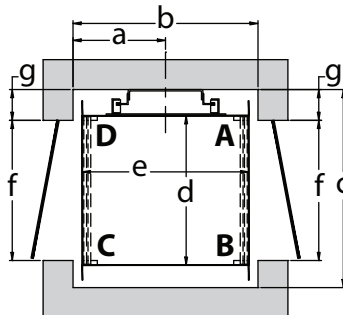
FRONT OPENINGS (CB)
CODE 3



| | Dumbwaiter Type | Car Size | Finished Hoistway Dimensions | | | | | | |
|---|----------------------|-----------------|------------------------------|-----|--------|-----|-----|--------|--------|
| | | | a | b | c | d | e | f | g |
| R | Cable- Waiter 100 lb | 20" x 20" x 30" | 12" | 24" | 26.75" | 22" | 20" | 18.75" | 2.625" |
| R | Paca-Waiter 200 lb | 26" x 26" x 36" | 16" | 32" | 33.5" | 28" | 26" | 24.75" | 3.625" |
| R | Paca-Waiter 300 lb | 30" x 30" x 40" | 18" | 36" | 37.5" | 32" | 30" | 28.75" | 3.625" |

*All dimensions are finished hoistway dimensions

OPPOSITE OPENINGS (AB DC)
CODE 4



| | Dumbwaiter Type | Car Size | Finished Hoistway Dimensions | | | | | | |
|---|----------------------|-----------------|------------------------------|--------|--------|-----|--------|--------|--------|
| | | | a | b | c | d | e | f | g |
| R | Cable- Waiter 100 lb | 20" x 20" x 30" | 12.375" | 24.75" | 26.5" | 20" | 22.25" | 18.75" | 4.125" |
| R | Paca-Waiter 200 lb | 26" x 26" x 36" | 15.375" | 30.75" | 33.25" | 26" | 28.25" | 24.75" | 4.875" |
| R | Paca-Waiter 300 lb | 30" x 30" x 40" | 17.375" | 34.75" | 37.25" | 30" | 32.25" | 28.75" | 4.875" |

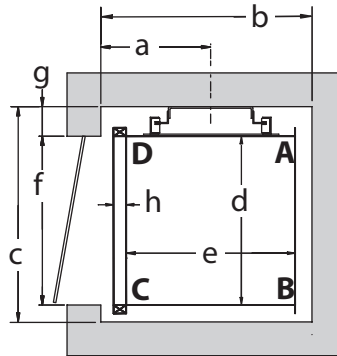
*All dimensions are finished hoistway dimensions

Example Hoistway Layouts - Dumbwaiter

Steel Car with Bi-parting or Slide-up Gates

The dumbwaiters listed in the following section are based upon our standard cars. Dumbwaiter cars can be customized to meet your unique needs in accordance with ASME A17.1.

LEFT OPENINGS (DC)
CODE 1

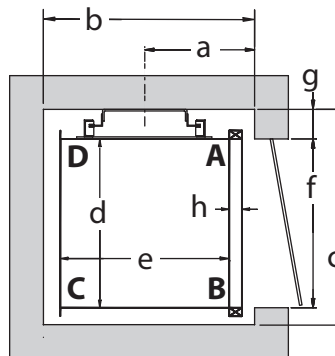


| | Dumbwaiter Type | Car Size | Finish Hoistway Dimensions | | | | | | | |
|---|----------------------|-----------------|----------------------------|-----|--------|-----|-----|-----|-------|------|
| | | | a | b | c | d | e | f | g | h |
| R | Cable- Waiter 100 lb | 20" x 20" x 30" | 13" | 25" | 25.5" | 20" | 20" | 20" | 3.5" | 1.5" |
| R | Paca-Waiter 200 lb | 26" x 26" x 36" | 16" | 31" | 33.25" | 26" | 26" | 26" | 4.25" | 1.5" |
| R | Paca-Waiter 300 lb | 30" x 30" x 40" | 18" | 35" | 37.25" | 30" | 30" | 30" | 4.25" | 1.5" |
| R | Paca-Waiter 500 lb | 36" x 36" x 48" | 21" | 41" | 43.25" | 36" | 36" | 36" | 4.25" | 1.5" |

Bipart gates only on 100lb units

**All dimensions are finished hoistway dimensions*

RIGHT OPENINGS (AB)
CODE 2



| | Dumbwaiter Type | Car Size | Finished Hoistway Dimensions | | | | | | | |
|---|----------------------|-----------------|------------------------------|-----|--------|-----|-----|-----|-------|------|
| | | | a | b | c | d | e | f | g | h |
| R | Cable- Waiter 100 lb | 20" x 20" x 30" | 13" | 25" | 25.5" | 20" | 20" | 20" | 3.5" | 1.5" |
| R | Paca-Waiter 200 lb | 26" x 26" x 36" | 16" | 31" | 33.25" | 26" | 26" | 26" | 4.25" | 1.5" |
| R | Paca-Waiter 300 lb | 30" x 30" x 40" | 18" | 35" | 37.25" | 30" | 30" | 30" | 4.25" | 1.5" |
| R | Paca-Waiter 500 lb | 36" x 36" x 48" | 21" | 41" | 43.25" | 36" | 36" | 36" | 4.25" | 1.5" |

Bipart gates only on 100lb units

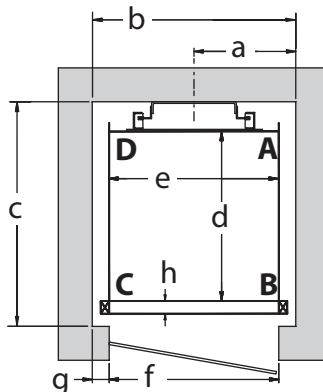
**All dimensions are finished hoistway dimensions*

Example Hoistway Layouts - Dumbwaiter

Steel Car with Bi-parting or Slide-up Gates

The dumbwaiters listed in the following section are based upon our standard cars. Dumbwaiter cars can be customized to meet your unique needs in accordance with ASME A17.1.

FRONT OPENINGS (CB)
CODE 3

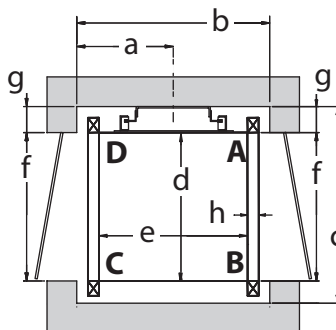


| | Dumbwaiter Type | Car Size | Finish Hoistway Dimensions | | | | | | | |
|---|----------------------|-----------------|----------------------------|-----|--------|-----|-----|-----|----|------|
| | | | a | b | c | d | e | f | g | h |
| R | Cable- Waiter 100 lb | 20" x 20" x 30" | 12" | 24" | 26.5" | 20" | 20" | 20" | 2" | 1.5" |
| R | Paca-Waiter 200 lb | 26" x 26" x 36" | 16" | 32" | 33.25" | 26" | 26" | 26" | 3" | 1.5" |
| R | Paca-Waiter 300 lb | 30" x 30" x 40" | 18" | 36" | 37.25" | 30" | 30" | 30" | 3" | 1.5" |
| R | Paca-Waiter 500 lb | 36" x 36" x 48" | 21" | 42" | 43.25" | 36" | 36" | 36" | 3" | 1.5" |

Bipart gates only on 100lb units

*All dimensions are finished hoistway dimensions

OPPOSITE OPENINGS (AB DC)
CODE 4



| | Dumbwaiter Type | Car Size | Finished Hoistway Dimensions | | | | | | | |
|---|----------------------|-----------------|------------------------------|-----|--------|-----|-----|-----|-------|------|
| | | | a | b | c | d | e | f | g | h |
| R | Cable- Waiter 100 lb | 20" x 20" x 30" | 13" | 26" | 26.5" | 20" | 20" | 20" | 3.5" | 1.5" |
| R | Paca-Waiter 200 lb | 26" x 26" x 36" | 16" | 32" | 33.25" | 26" | 26" | 26" | 4.25" | 1.5" |
| R | Paca-Waiter 300 lb | 30" x 30" x 40" | 18" | 36" | 37.25" | 30" | 30" | 30" | 4.25" | 1.5" |
| R | Paca-Waiter 500 lb | 36" x 36" x 48" | 21" | 42" | 43.25" | 36" | 36" | 36" | 4.25" | 1.5" |

Bipart gates only on 100lb units

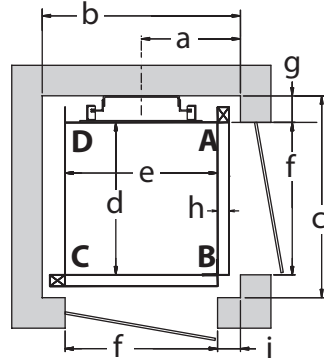
*All dimensions are finished hoistway dimensions

Example Hoistway Layouts - Dumbwaiter

Steel Car with Bi-parting or Slide-up Gates

The dumbwaiters listed in the following section are based upon our standard cars.
 Dumbwaiter cars can be customized to meet your unique needs in accordance with ASME A17.1.

RIGHT ADJACENT OPENINGS (AB CB)
 CODE 5

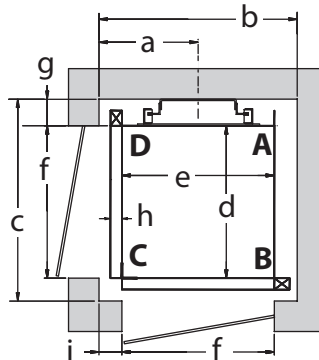


| | Dumbwaiter Type | Car Size | Finish Hoistway Dimensions | | | | | | | | |
|---|----------------------|-----------------|----------------------------|-----|--------|-----|-----|-----|-------|------|----|
| | | | a | b | c | d | e | f | g | h | i |
| R | Cable- Waiter 100 lb | 20" x 20" x 30" | 13" | 26" | 26.5" | 20" | 20" | 20" | 3.5" | 1.5" | 3" |
| R | Paca-Waiter 200 lb | 26" x 26" x 36" | 16" | 32" | 33.25" | 26" | 26" | 26" | 4.25" | 1.5" | 3" |
| R | Paca-Waiter 300 lb | 30" x 30" x 40" | 18" | 36" | 37.25" | 30" | 30" | 30" | 4.25" | 1.5" | 3" |
| R | Paca-Waiter 500 lb | 36" x 36" x 48" | 21" | 42" | 43.25" | 36" | 36" | 36" | 4.25" | 1.5" | 3" |

Bipart gates only on 100lb units

**All dimensions are finished hoistway dimensions*

LEFT ADJACENT OPENINGS (DC BC)
 CODE 6



| | Dumbwaiter Type | Car Size | Finished Hoistway Dimensions | | | | | | | | |
|---|----------------------|-----------------|------------------------------|-----|--------|-----|-----|-----|-------|------|----|
| | | | a | b | c | d | e | f | g | h | i |
| R | Cable- Waiter 100 lb | 20" x 20" x 30" | 13" | 26" | 26.5" | 20" | 20" | 20" | 3.5" | 1.5" | 3" |
| R | Paca-Waiter 200 lb | 26" x 26" x 36" | 16" | 32" | 33.25" | 26" | 26" | 26" | 4.25" | 1.5" | 3" |
| R | Paca-Waiter 300 lb | 30" x 30" x 40" | 18" | 36" | 37.25" | 30" | 30" | 30" | 4.25" | 1.5" | 3" |
| R | Paca-Waiter 500 lb | 36" x 36" x 48" | 21" | 42" | 43.25" | 36" | 36" | 36" | 4.25" | 1.5" | 3" |

Bipart gates only on 100lb units

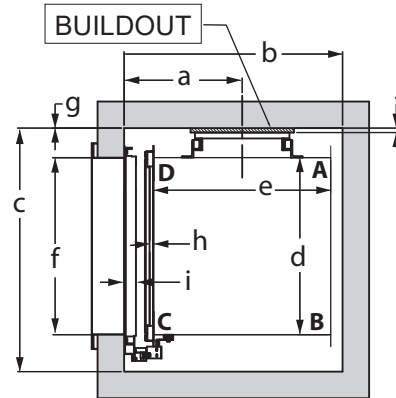
**All dimensions are finished hoistway dimensions*

Example Hoistway Layouts - Dumbwaiter

Steel Car with Bi-parting or Slide-up Gates and Commercial Doors

The dumbwaiters listed in the following section are based upon our standard cars. Dumbwaiter cars can be customized to meet your unique needs in accordance with ASME A17.1.

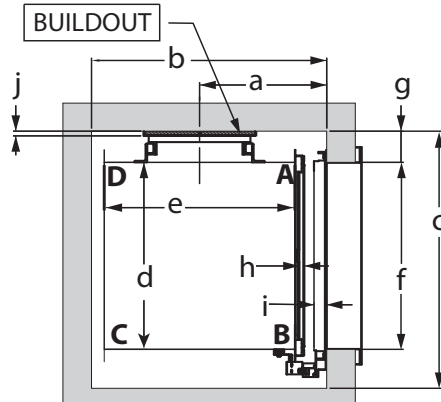
LEFT OPENINGS (DC)
CODE 1



| | Dumbwaiter Type | Car Size | Finished Hoistway Dimensions | | | | | | | | | |
|----------|--------------------|-----------------|------------------------------|-----|--------|-----|-----|-----|----|------|----|------|
| | | | a | b | c | d | e | f | g | h | i | j |
| C | Paca-Waiter 300 lb | 30" x 30" x 40" | 20" | 37" | 41.25" | 30" | 30" | 30" | 5" | 1.5" | 2" | .75" |
| C | Paca-Waiter 500 lb | 36" x 36" x 48" | 23" | 23" | 47.25" | 36" | 36" | 36" | 5" | 1.5" | 2" | .75" |

*All dimensions are finished hoistway dimensions

RIGHT OPENINGS (AB)
CODE 2



| | Dumbwaiter Type | Car Size | Finished Hoistway Dimensions | | | | | | | | | |
|----------|--------------------|-----------------|------------------------------|-----|--------|-----|-----|-----|----|------|----|------|
| | | | a | b | c | d | e | f | g | h | i | j |
| C | Paca-Waiter 300 lb | 30" x 30" x 40" | 20" | 37" | 41.25" | 30" | 30" | 30" | 5" | 1.5" | 2" | .75" |
| C | Paca-Waiter 500 lb | 36" x 36" x 48" | 23" | 23" | 47.25" | 36" | 36" | 36" | 5" | 1.5" | 2" | .75" |

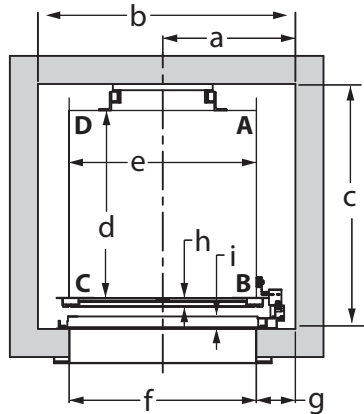
*All dimensions are finished hoistway dimensions

Example Hoistway Layouts - Dumbwaiter

Steel Car with Bi-parting or Slide-up Gates and Commercial Doors

The dumbwaiters listed in the following section are based upon our standard cars. Dumbwaiter cars can be customized to meet your unique needs in accordance with ASME A17.1.

FRONT OPENINGS (CB)
CODE 3



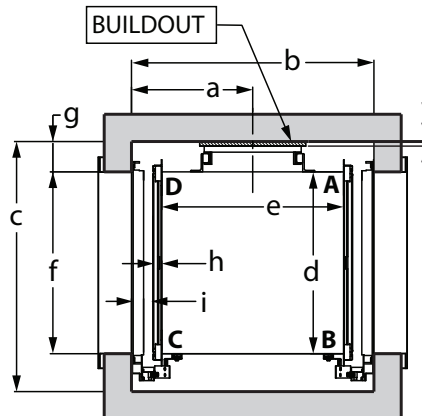
| | Dumbwaiter Type | Car Size | Finish Hoistway Dimensions | | | | | | | | |
|----------|--------------------|-----------------|----------------------------|--------|--------|-----|-----|-----|-------|------|----|
| | | | a | b | c | d | e | f | g | h | i |
| C | Paca-Waiter 300 lb | 30" x 30" x 40" | 20" | 41.25" | 39.25" | 30" | 30" | 30" | 6.25" | 1.5" | 2" |
| C | Paca-Waiter 500 lb | 36" x 36" x 48" | 23" | 47.25" | 45.25" | 36" | 36" | 36" | 6.25" | 1.5" | 2" |

*All dimensions are finished hoistway dimensions

Note:

This hoistway size is depicted with commercial interlocks (HG1, HG2)
Hoistway size will change if different interlock is used.

OPPOSITE OPENINGS (AB DC)
CODE 4



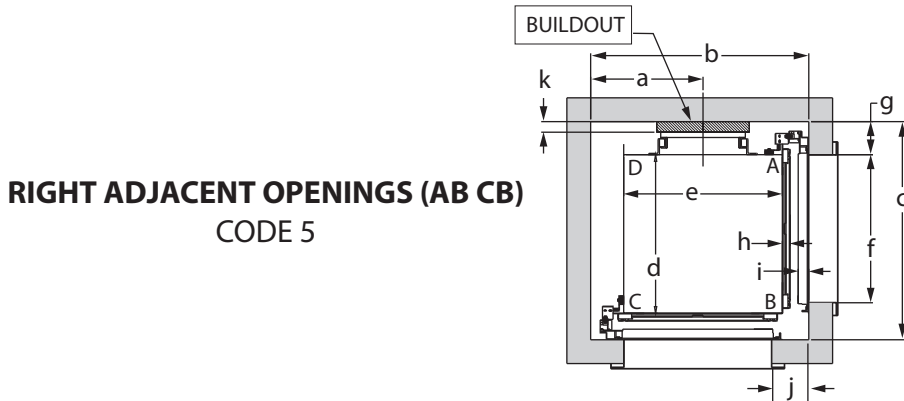
| | Dumbwaiter Type | Car Size | Finished Hoistway Dimensions | | | | | | | | | |
|----------|--------------------|-----------------|------------------------------|-----|--------|-----|-----|-----|----|------|----|------|
| | | | a | b | c | d | e | f | g | h | i | j |
| C | Paca-Waiter 300 lb | 30" x 30" x 40" | 20" | 40" | 41.25" | 30" | 30" | 30" | 5" | 1.5" | 2" | .75" |
| C | Paca-Waiter 500 lb | 36" x 36" x 48" | 23" | 46" | 47.25" | 36" | 36" | 36" | 5" | 1.5" | 2" | .75" |

*All dimensions are finished hoistway dimensions

Example Hoistway Layouts - Dumbwaiter

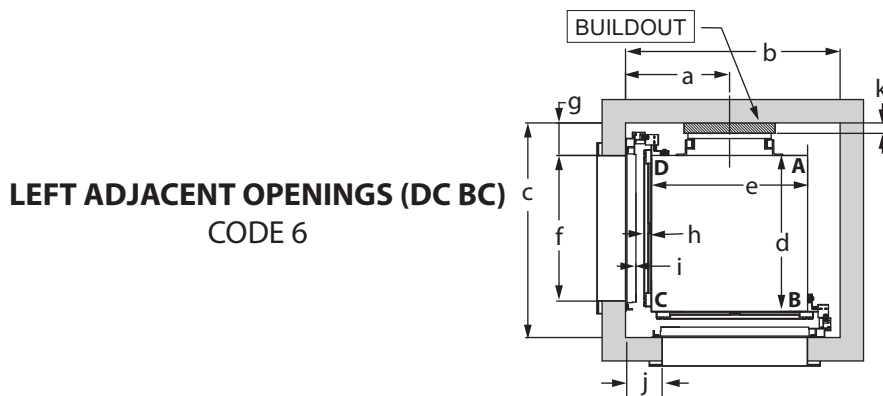
Steel Car with Bi-parting or Slide-up Gates and Commercial Doors

The dumbwaiters listed in the following section are based upon our standard cars. Dumbwaiter cars can be customized to meet your unique needs in accordance with ASME A17.1.



| | Dumbwaiter Type | Car Size | Finish Hoistway Dimensions | | | | | | | | | | |
|----------|--------------------|-----------------|----------------------------|--------|--------|-----|-----|-----|-------|------|----|----|----|
| | | | a | b | c | d | e | f | g | h | i | j | k |
| C | Paca-Waiter 300 lb | 30" x 30" x 40" | 20" | 41.25" | 41.25" | 30" | 30" | 28" | 6.25" | 1.5" | 2" | 7" | 2" |
| C | Paca-Waiter 500 lb | 36" x 36" x 48" | 23" | 47.25" | 47.25" | 36" | 36" | 34" | 6.25" | 1.5" | 2" | 7" | 2" |

*All dimensions are finished hoistway dimensions



| | Dumbwaiter Type | Car Size | Finished Hoistway Dimensions | | | | | | | | | | |
|----------|--------------------|-----------------|------------------------------|--------|--------|-----|-----|-----|-------|------|----|----|----|
| | | | a | b | c | d | e | f | g | h | i | j | k |
| C | Paca-Waiter 300 lb | 30" x 30" x 40" | 20" | 41.25" | 41.25" | 30" | 30" | 28" | 6.25" | 1.5" | 2" | 7" | 2" |
| C | Paca-Waiter 500 lb | 36" x 36" x 48" | 23" | 47.25" | 47.25" | 36" | 36" | 34" | 6.25" | 1.5" | 2" | 7" | 2" |

*All dimensions are finished hoistway dimensions

FOX VALLEY ELEVATOR™

IS A PROUD MEMBER OF



Canadian Elevator
Contractors Association

Fox Valley Elevator, LLC is a proud member of The American Society of Mechanical Engineers, The National Association of Elevator Contractors, The Canadian Elevator Contractors Association and The Accessibility Equipment Manufacturers Association. These organizations are symbols assure you of our commitment to high quality and accessibility to everyone.



800-238-8739
foxvalleyelevator.com
1726 North Ballard Road • Suite 1
Appleton, WI 54911
Info@foxvalleyelevator.com



MADE IN THE USA



with US and Global Parts